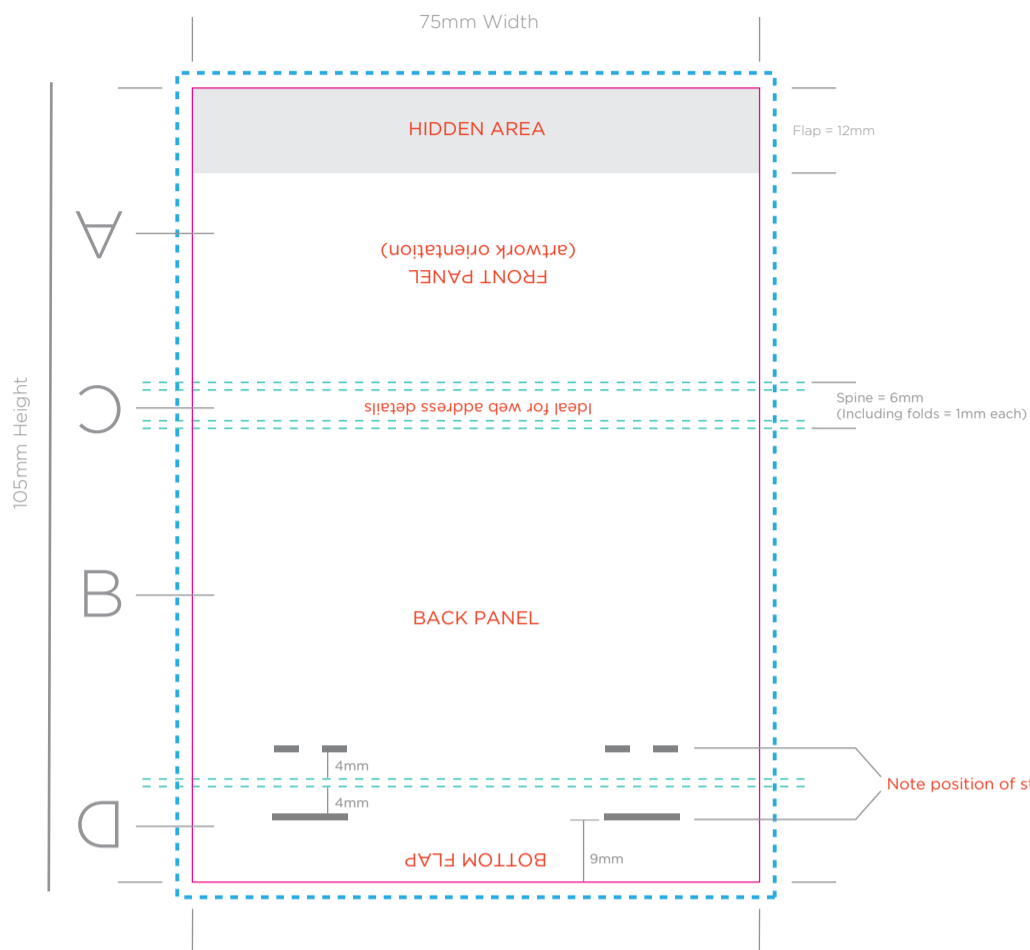


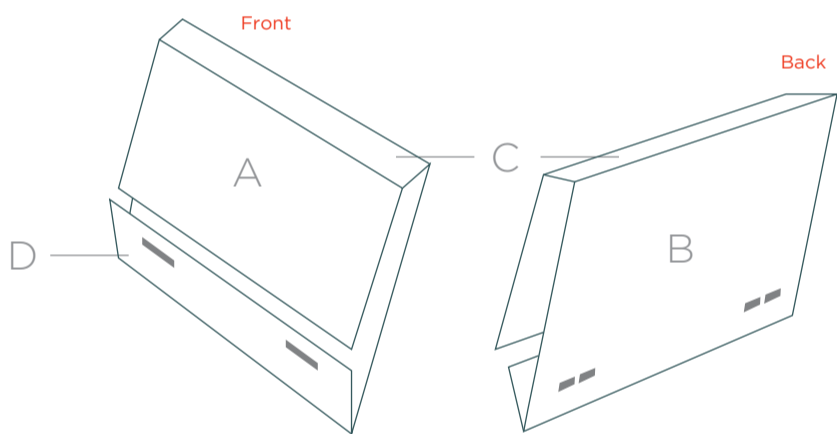
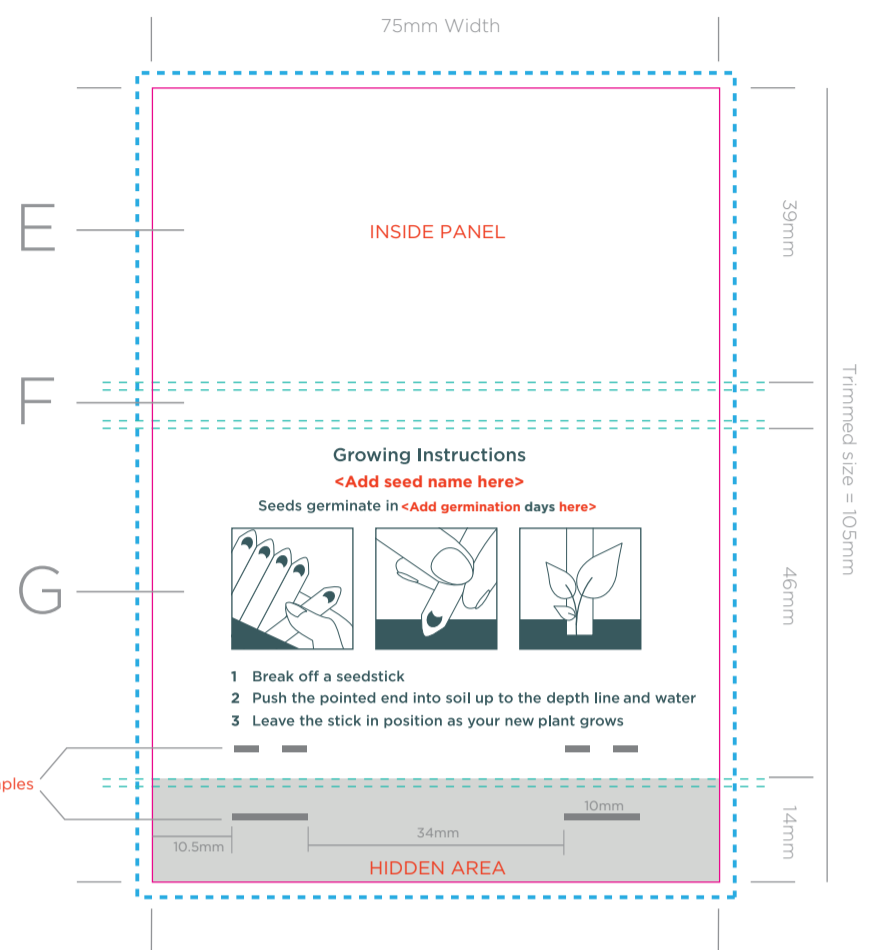
10 STICK SEED STICK

ARTWORK SPECIFICATIONS

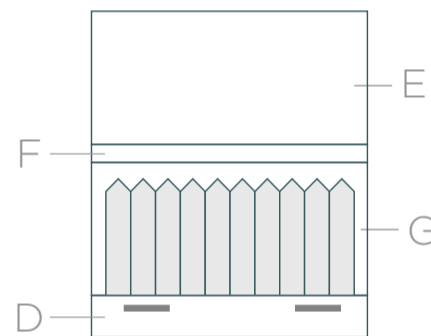
OUTSIDE COVER 4 colour print



INSIDE COVER 4 colour print



PLEASE NOTE:
Please allow for the staples on the front flap and back of assembled pack in your design



ARTWORK SPECIFICATIONS / REQUIREMENTS

- Art must be supplied in CMYK format or PMS colours specified, RGB is not acceptable
- All fonts must be converted to outlines
- Working file must be compatible with CS5 - Illustrator
- 3mm bleed is required beyond the trim lines
- Files to be supplied in PDF, EPS or AI format only
- A PDF proof will be emailed for confirmation of design for you to sign off prior to print production
- No responsibility will be accepted for errors or changes once the artwork has been signed off
- If you require a chemical proof (CTP) additional £60.00
- Artwork setups will be incurred after the first art proof has been amended

KEY

- Staples
- - - - - Fold Lines
- Cut Line
- · · · · Bleed Line

PROJECT DETAILS

Client	<input type="text"/>	Job Ref	<input type="text"/>
Job No	<input type="text"/>	Quantity	<input type="text"/>
		Date	<input type="text"/>

PROJECT APPROVAL

Approved	Yes <input type="checkbox"/>	No <input type="checkbox"/>	Version	<input type="text"/>	Name	<input type="text"/>
Signed	<input type="text"/>		Date	<input type="text"/>		